



Split Level Climber Bed Instructions

Parts List

4 x 1.2m x 180mm Timber Boards

6 x 1.8m x 180mm Timber Boards

2 x 0.6m x 180mm Timber Boards

2 x 36cm x 7cm x 7cm Timber Posts

2 x 54cm x 7cm x 7cm Timber Posts

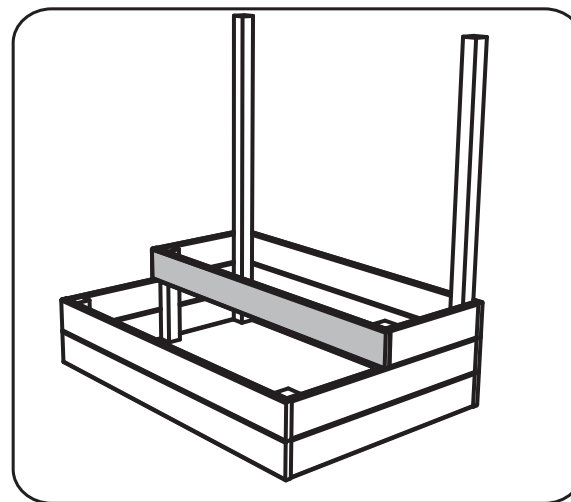
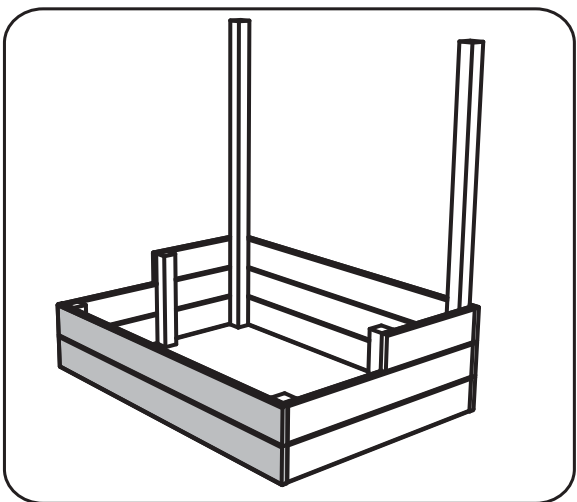
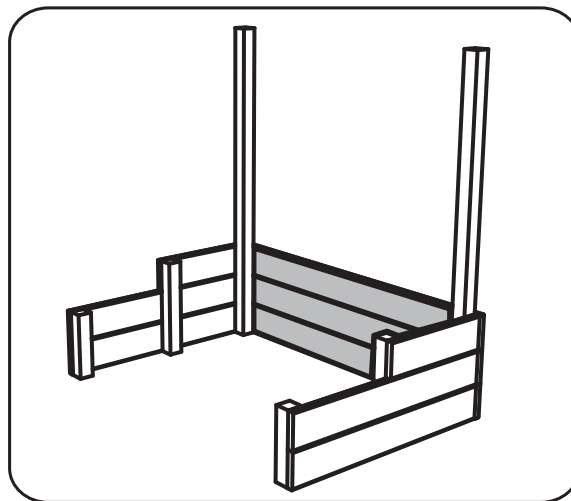
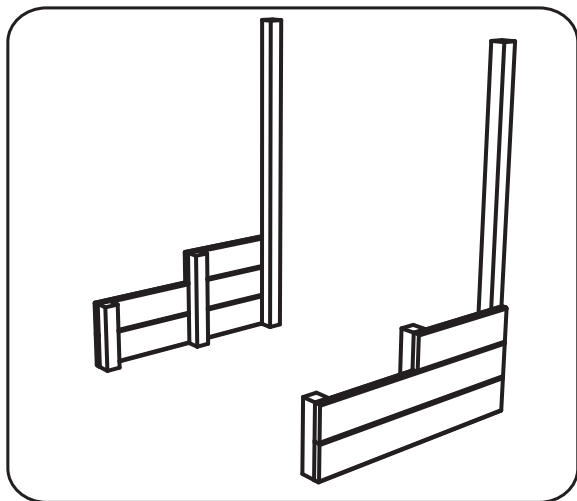
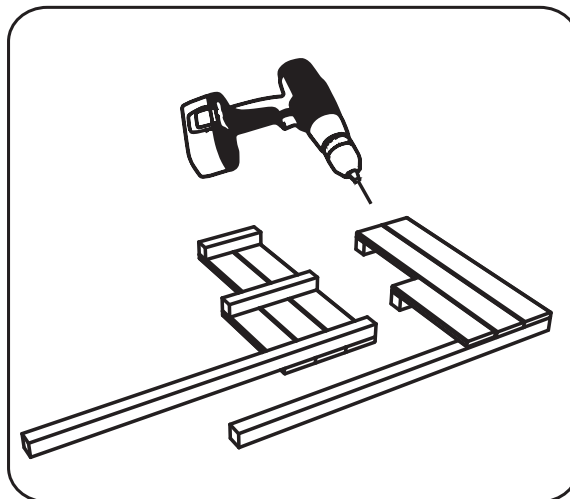
2 x 180cm x 7cm x 7cm Timber Posts

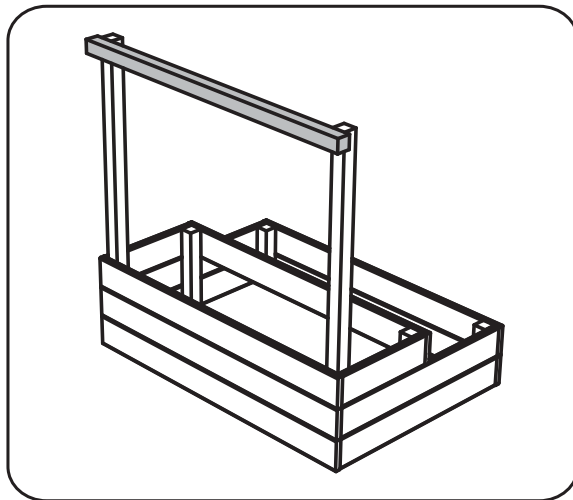
1 x 180cm x 5cm x 5cm Timber Post

56 Screws M5x60

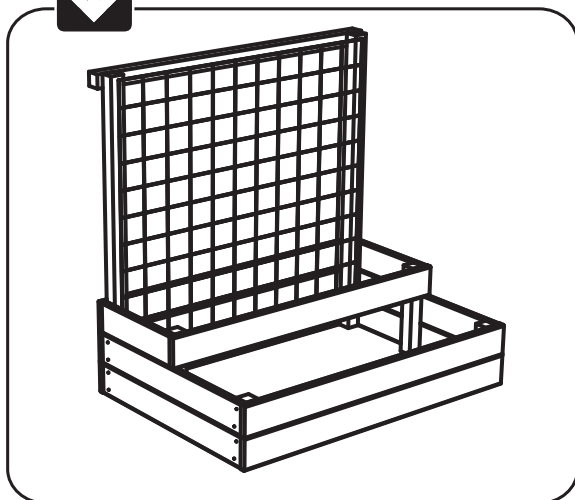
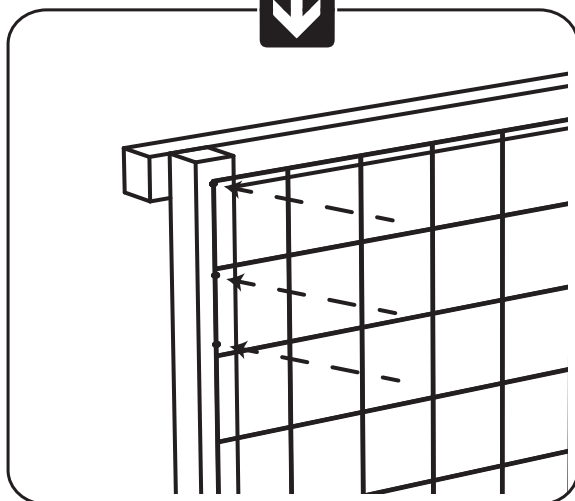
4m x 2m Netting (Pea Mesh Option)

6 Clips and 6 Canes (Bean Pole Option)





Pea Mesh



Bean Poles

